

香港龍舟錦標賽2024(500米) Hong Kong Dragon Boat Championships 2024 (500 meters)

賽制 Race Format A (2-6 隊crews)

(1)

第一回合賽事
1st Round Race

第二回合賽事
2nd Round Race

備註 Notes:

(1)
比賽場次及成績計算:
每組共比賽兩個回合。每隊每一回合將根據其衝線名次給予分數，如沒有完成或缺席者得零分。成績計算將為兩個回合所得分數之總和，最高分者為冠軍，其後依次為亞軍及季軍。

Race and Scoring :
Each Category has 2 rounds of race. Each team will gain points according to the finishing position for each round while absentees (DNS- did not start) or those who did not finish (DNF) the race or disqualified will gain zero. The final result is the total score of the 2 rounds. The team gaining the highest total score will be the champion, the second and third runners-up will be ranked accordingly.

成績計算:

衝線名次 Finishing Position	1	2	3	4	5	6
所得分數 Score	7	5	4	3	2	1
註: n = 線道總數 Where n = Total number of lanes						

Scoring:

和分:

若有多於一隊兩個回合所得之總分相同，則以兩場的總時間成績定名次。

Tie :

If teams get the same total scores, their final position shall be decided by their total time in these two races.

賽道編排:

1. 各隊第一回合之賽事線道安排將在27-6-2024 以抽籤方式分配。

Race Lane Allocation:

1. Lanes for the 1st round will be arranged by the drawing held on 27-6-2024.

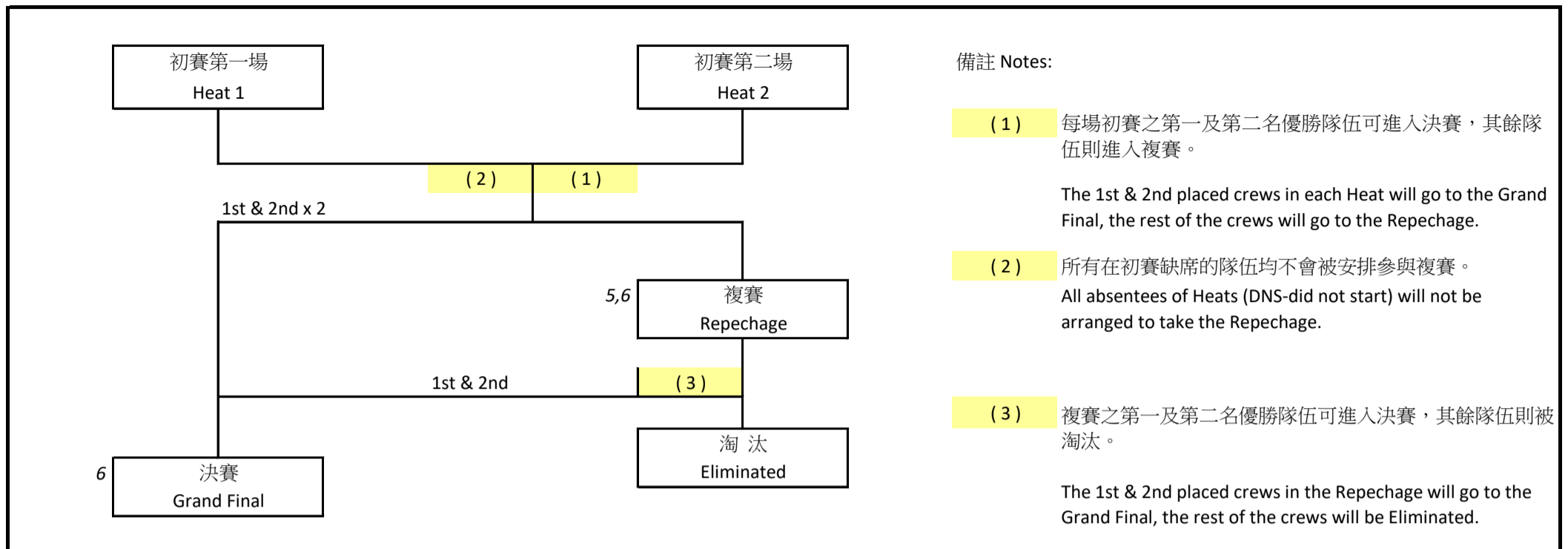
2. 次回合之線道安排如下:

2. Lanes for the 2nd round shall be given as follows:

第二回合賽道分配 Lane Allocation for 2nd Round		1	2	3	4	5	6
第一回合賽道 Lane No. for the 1st Round	2 隊 crews			4	3		
	3 隊 crews		4	2	3		
	4 隊 crews		4	5	2	3	
	5 隊 crews	4	5	1	2	3	
	6 隊 crews	4	5	6	1	2	3

香港龍舟錦標賽2024(500米) Hong Kong Dragon Boat Championships 2024 (500 meters)

賽制 Race Format B (7-10 隊crews)



賽道編排:

Race Lane Allocation:

1. 各隊初賽之線道安排將在27-6-2024 以抽籤方式分配。

1. Lanes for Heats will be arranged by the drawing held on 27-6-2024.

2. 各隊複賽之線道之安排將依各隊之初賽名次分配如下:

2. Lanes for the Repechage will be allocated according to the ranking in Heats as follows:

複賽賽道分配 Lane Allocation for Repechage	1	2	3	4	5	6
餘下隊伍初賽之名次 Ranking in Heats of remaining teams	初賽 1 第五名 5th in Heat 1	初賽 2 第四名 4th in Heat 2	初賽 1 第三名 3rd in Heat 1	初賽 2 第三名 3rd in Heat 2	初賽 1 第四名 4th in Heat 1	初賽 2 第五名 5th in Heat 2

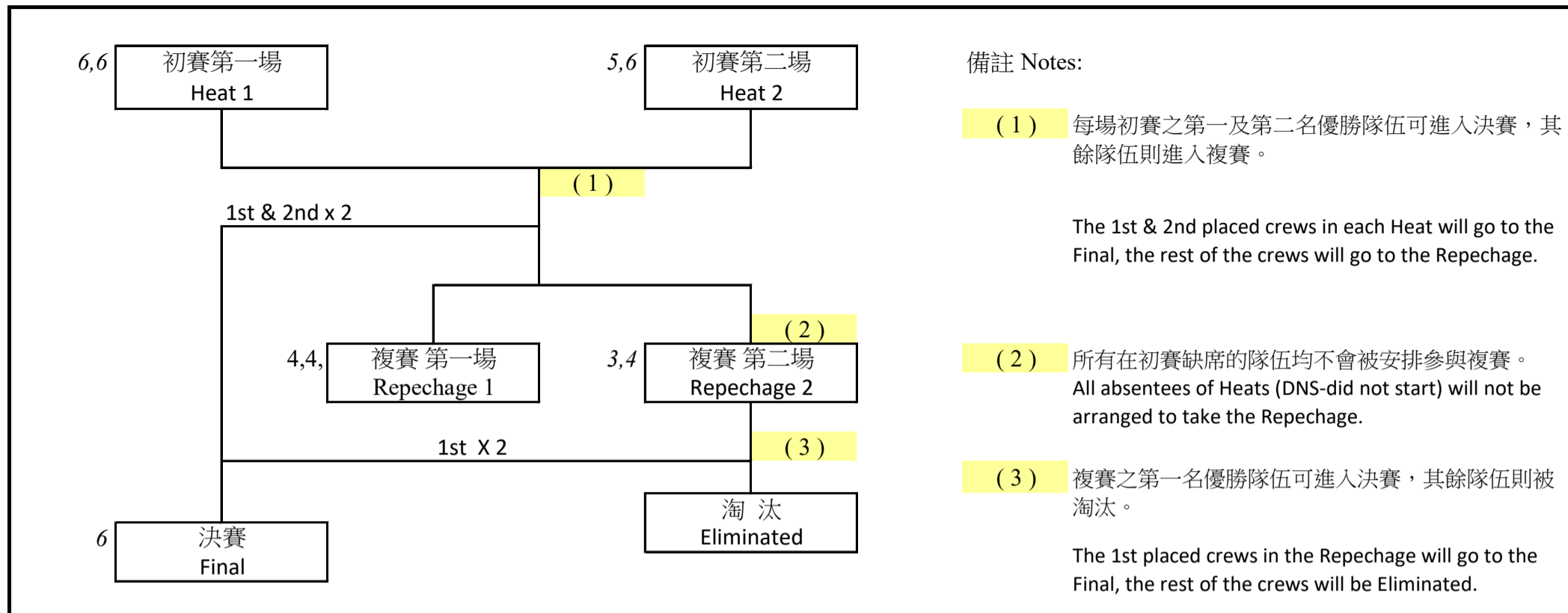
3. 各隊決賽之線道安排將根據初賽及複賽之名次分配如下:

3. Lanes for the Final will be allocated according to the ranking in Heats & Repechage as follows:

決賽賽道分配 Lane Allocation for Grand Final	1	2	3	4	5	6
初賽及複賽之名次 Ranking in Heats & Repechage	複賽 第一名 1st in Rep.	初賽 2 第二名 2nd in Heat 2	初賽 1 第一名 1st in Heat 1	初賽 2 第一名 1st in Heat 2	初賽 1 第二名 2nd in Heat 1	複賽 第二名 2nd in Rep.

香港龍舟錦標賽2024(500米) Hong Kong Dragon Boat Championships 2024 (500 meters)

賽制 Race Format C (11-12 隊crews)



賽道編排:
Race Lane Allocation:

1. 各隊初賽之線道安排將在 27-6-2024 以抽籤方式分配。
1. Lanes for Heats will be arranged by the drawing held on 27-6-2024.

2. 各隊複賽之線道之安排將依各隊之初賽名次分配如下:
2. Lanes for the Repechage will be allocated according to the ranking in Heats as follows:

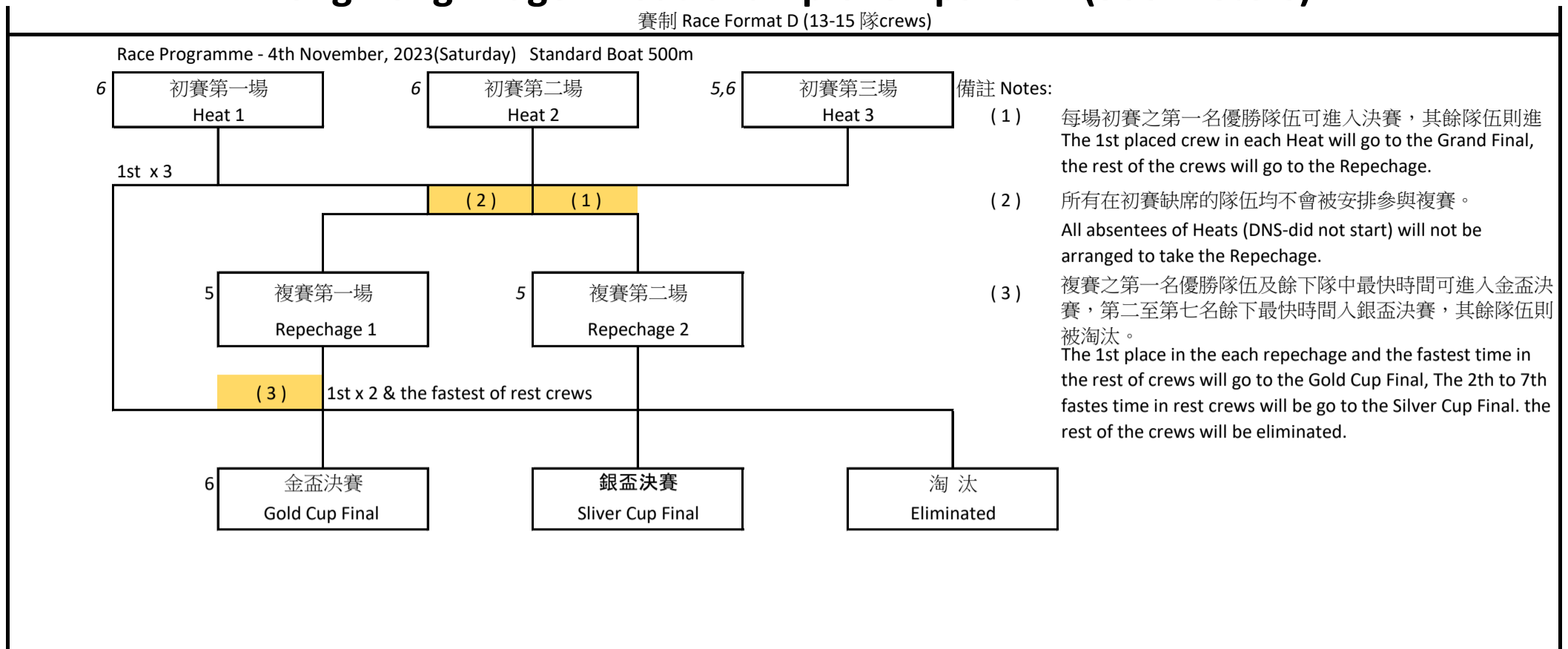
複賽第一場賽道分配 Lane Allocation for Repechage 1	1	2	3	4	5	6
餘下隊伍初賽之名次 Ranking in Heats of remaining teams		初賽 1 第五名 5th in Heat 1	初賽 2 第三名 3rd in Heat 2	初賽 2 第四名 3rd in Heat 2	初賽 1 第六名 6th in Heat 1	
複賽第二場賽道分配 Lane Allocation for Repechage 2	1	2	3	4	5	6
餘下隊伍初賽之名次 Ranking in Heats of remaining teams		初賽 2 第五名 5th in Heat 2	初賽 1 第三名 3rd in Heat 1	初賽 1 第四名 4th in Heat 1	初賽 2 第六名 6th in Heat 2	

3. 各隊決賽之線道安排將根據初賽及複賽之名次分配如下:
3. Lanes for the Final will be allocated according to the ranking in Heats & Repechage as follows:

決賽賽道分配 Lane Allocation for Final	1	2	3	4	5	6
初賽及複賽之名次 Ranking in Heats & Repechage	複賽 1 第一名 1st in Rep. 1	初賽 2 第二名 2nd in Heat 2	初賽 1 第一名 1st in Heat 1	初賽 2 第一名 1st in Heat 2	初賽 1 第二名 2nd in Heat 1	複賽 2 第一名 1st in Rep. 2

香港龍舟錦標賽2024(500米) Hong Kong Dragon Boat Championships 2024 (500 meters)

賽制 Race Format D (13-15 隊crews)



賽道編排:

Race Lane Allocation:

1. 各隊初賽之線道安排將在 27-6-2024 以抽籤方式分配。

1. Lanes for Heats will be arranged by the drawing held on 27-6-2024.

2. 各隊複賽之線道之安排將依各隊之初賽名次分配如下:

2. Lanes for the Repechage will be allocated according to the ranking in Heats as follows:

複賽A賽道分配 Lane Allocation for Repechage 1	1	2	3	4	5	6
餘下隊伍初賽之名次 Ranking in Heats of remaining teams	初賽 3 第四名 4th in Heat 3	初賽 2 第三名 3rd in Heat 2	初賽 1 第二名 2nd in Heat 1	初賽 3 第二名 2nd in Heat 3	初賽 1 第四名 4th in Heat 1	初賽 2 第五名 5th in Heat 2
複賽B賽道分配 Lane Allocation for Repechage 2	1	2	3	4	5	6
餘下隊伍初賽之名次 Ranking in Heats of remaining teams	初賽 1 第五名 5th in Heat 1	初賽 3 第三名 3rd in Heat 3	初賽 2 第二名 2nd in Heat 2	初賽 1 第三名 3rd in Heat 1	初賽 2 第四名 4th in Heat 2	初賽 3 第五名 5th in Heat 3

3. 各隊決賽之線道安排將根據初賽及複賽之名次分配如下:

3. Lanes for the Final will be allocated according to the ranking in Heats & Repechage as follows:

金盃決賽賽道分配 Lane Allocation for Gold Cup Final	1	2	3	4	5	6
初賽及複賽之名次 Ranking in Heats & Repechage	複賽 2 第一名 1st in Rep. 2	初賽 3 第一名 1st in Heat 3	初賽 1 第一名 1st in Heat 1	初賽 2 第一名 1st in Heat 2	複賽 1 第一名 1st in Rep. 1	餘下複賽隊 伍最快時間 fastest time in rest of crews in Rep.

香港龍舟錦標賽2024(500米) Hong Kong Dragon Boat Championships 2024 (500 meters)

香港盃 - 賽制 Hong Kong Cup - Race Format

冠軍可得香港盃。 Hong Kong Cup will be awarded to the Champion.

此為單一場決賽的賽事。 This is a single-round event.

獲選準則:

小龍500米所有組別的初賽或第一回合時間首 6 名最快時間隊伍將獲選競逐此項賽事。

Selection Criteria:

The first 6 teams with the best race time in heats or 1st rounds of all categories of 500M Small Boat Championships will be selected to join this race.

賽道編排:

賽道將根據賽隊初賽或第一回合衝線所得時間先後次序分配如下:

Lane Allocation:

Race lanes will be allocated according to the ranking of finishing time of heats or 1st rounds as follows:

賽道分配 Lane Allocation	1	2	3	4	5	6
初賽或第一回合之時間名 Ranking in the finishing time in Heats or Round 1 races	第五最 快時間 5th Best time	第三最 快時間 3rd Best time	第一最 快時間 1st Best time	第二最 快時間 2nd Best time	第四最 快時間 4th Best time	第六最 快時間 6th Best time